

LIFT-SAFE®

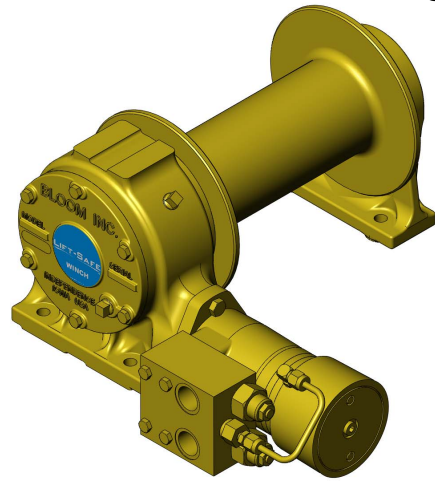


"Quality Since
1910"

Series LS8H

Hydraulic Cable Winches

Lift-Safe® hydraulic winches are specifically designed for lifting applications and optimum load control. Engineered for enhanced safety with redundant braking systems, and available in a variety of configurations. Lift-Safe® winches utilize the **DUET-SAFE® Double Action Braking System** to provide both static and dynamic braking. Lift-Safe® winches offer increased operational flexibility, and superior load control in lifting applications. **Series LS8H** direct drive winches can be used on small cranes, rear load waste packers, drill rigs, fishing boats, marine craft, mining and logging operations.



**UP TO 8,000 LBS.
CAPACITY**

Lift-Safe® Hydraulic Cable Winches – Standard Features

- | | |
|--------------------|--|
| MOTOR-BRAKE | - DUET-SAFE® Double Action Braking System combines a powerful spring applied, hydraulic released motor-brake with a double counter balance brake valve to automatically hold loads when hydraulic pressure is released and control speed during lowering operations. Winch is ideal for high speed lifting and pulling applications or wherever load holding is critical. |
| GEAR CASE | - Made of high strength cast iron. Completely sealed for oil enclosed operation and to keep dirt out. |
| WORM SHAFT | - One piece alloy steel hardened and ground for extra durability. Compact design allows hydraulic motor to be coupled directly to worm. |
| WORM GEAR | - High tensile aluminum-nickel alloy bronze. Optimum lead and pressure angles transmit maximum power to the drum. |
| GEAR RATIO | - 20:1 standard, 10:1, optional ratios provide optimum efficiency in power and speed. |
| BEARINGS | - Worm gear and worm shaft run on tapered roller bearings. Outer end housing has sealed ball bearing. |
| DRUM SHAFT | - 1-1/4" diameter heat -treated alloy steel minimum tensile strength 150,000 psi. |
| CABLE DRUM | - Tough all steel construction resists breakage or warping. |



www.bloommfg.com

BLOOM
Manufacturing Inc.
Winch Division

"Custom Engineered Solutions"

*Lifting
Pulling
Hoisting*

Toll Free Number: 1-800-394-1139

1443 220th Street,, Independence, Iowa 50644 • FAX: 319-827-1140 • PHONE: 319-827-1139

Series LS8H Model Selection from Performance Data

MODEL EXAMPLE: LS8H-3.0T-L8-20-LP

LS8 = Lift-Safe® Series LS8H
with 1-1/4" Drum Shaft

H = Integral Fail-Safe Brake Motor

Hydraulic Motor Designation
3.0T, 4.0T, 6.2T

Drum Sizes

S, L with 3.5" Core

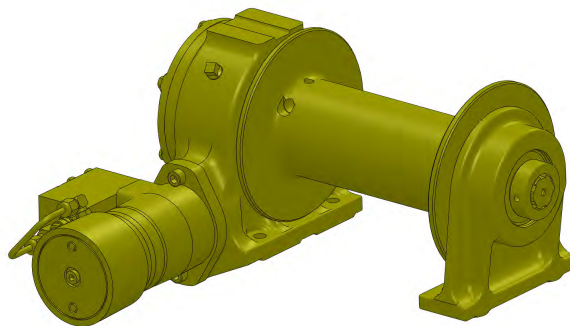
S8, L8 with 4" Core

Low Profile Mounting
(specify with or without
mounting angles)

Gear Ratios
10:1, 20:1

DRUM CAPACITY

CABLE DIAMETER (IN.)	1/4	5/16	3/8	7/16	1/2
DRUM "S" CAPACITY (FT.)	120	70	45	30	25
DRUM "S8" CAPACITY (FT.)	260	160	105	75	55
DRUM "L" CAPACITY (FT.)	175	105	65	45	30
DRUM "L8" CAPACITY (FT.)	390	240	160	110	80



Lift Safe® Cable Winches

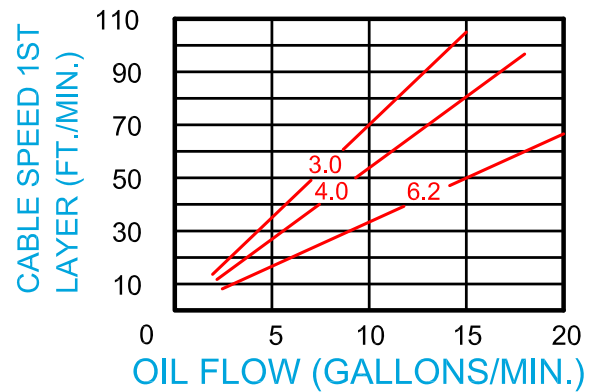
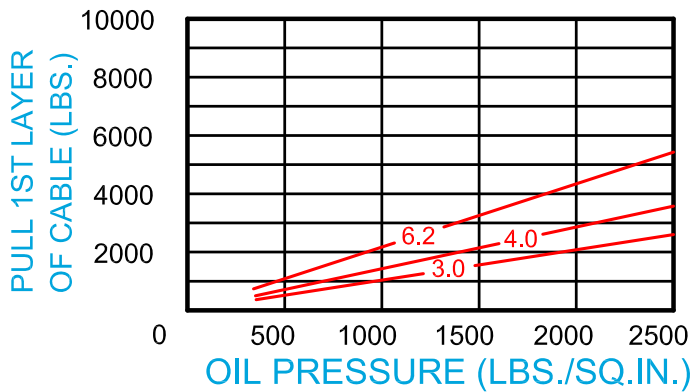


Series LS8H

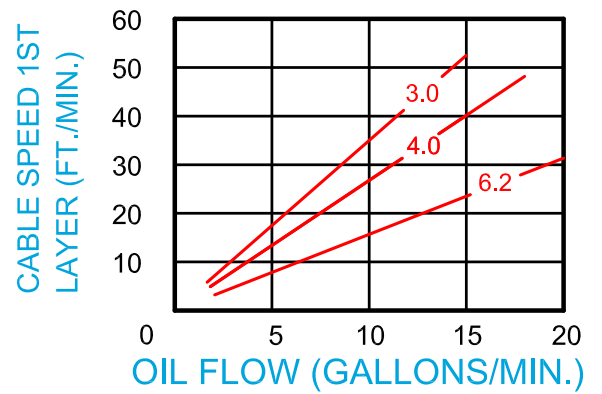
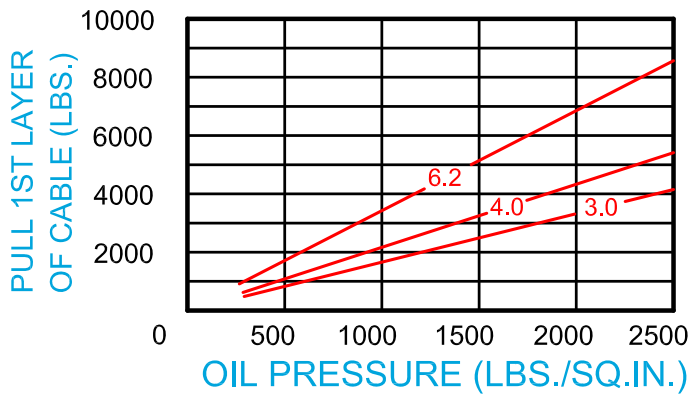
With Hydraulic Fail-safe Brake
Model Selection from Performance Data

"Quality Since
1910"

10:1 RATIO (optional)



20:1 RATIO (standard)



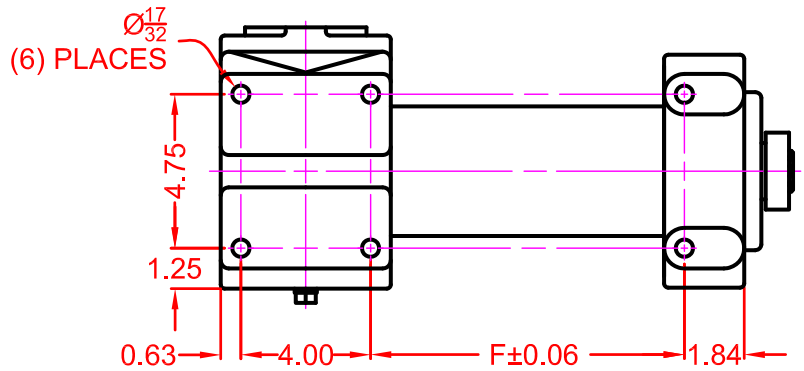
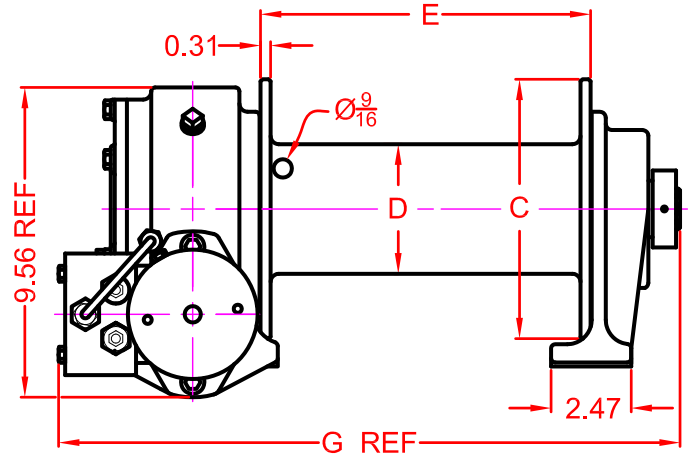
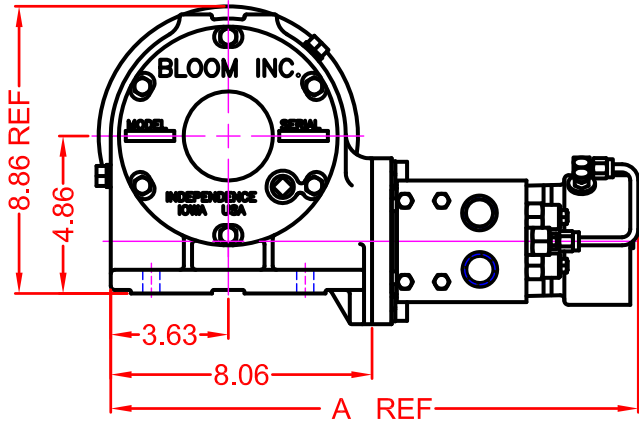


LIFT-SAFE®

“Quality Since
1910”

Dimensional Drawings

Series LS8H With S, S8, L and L8 Drum
Base Mount Model - Direct Drive



MOTOR DESIGNATION	3.0	4.0	6.2
A DIMENSION	15.91	16.03	16.28

DRUM DESIGNATION	WINCH DIMENSION				
	C	D	E	F	G
S	6	3.50	7.19	6.69	16.18
S8	8	4	7.19	6.69	16.18
L	6	3.50	10.19	9.69	19.18
L8	8	4	10.19	9.69	19.18

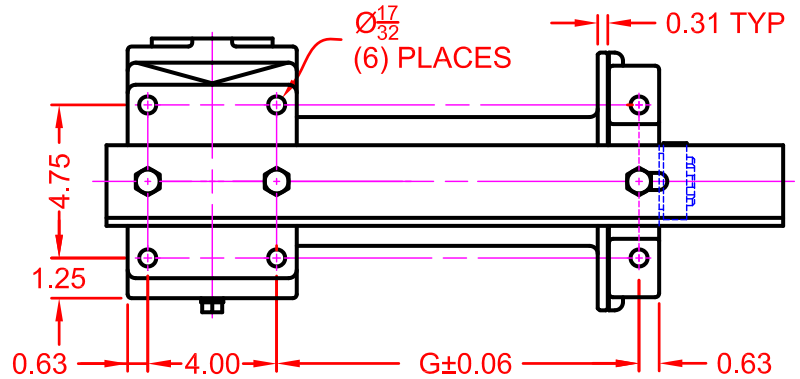
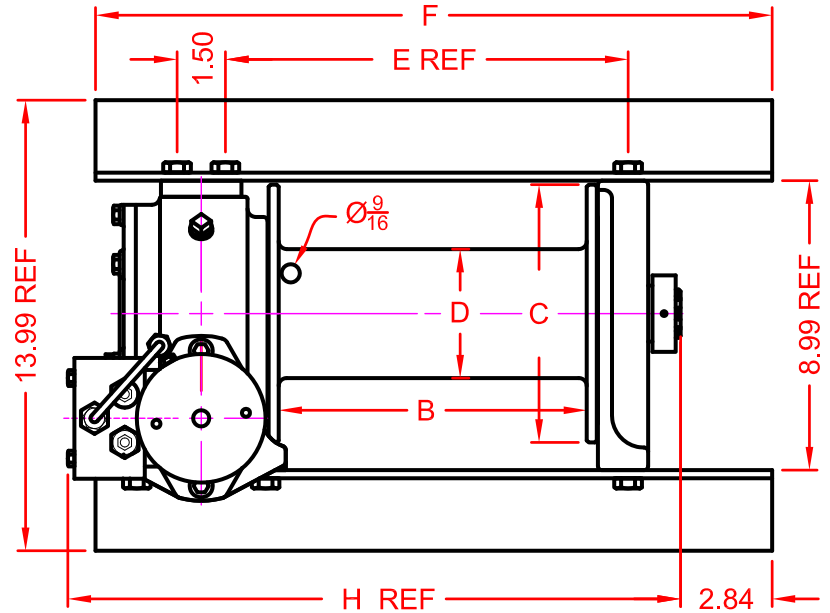
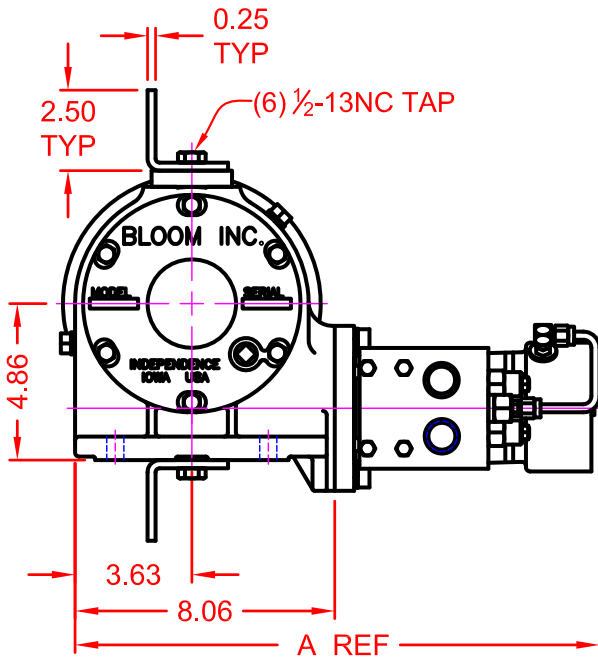


“Quality Since
1910”

LIFT-SAFE®

Dimensional Drawings

Series LS8H With S, S8, L and L8 Drum
Low Profile Model - Direct Drive



MOTOR DESIGNATION	3.0	4.0	6.2
A DIMENSION	15.91	16.03	16.28

DRUM DESIGNATION	WINCH DIMENSION						
	B	C	D	E	F	G	H
S	7.19	6	3.50	9.50	18.00	8.25	14.50
S8	7.19	8	4	9.50	18.00	8.25	14.50
L	10.19	6	3.50	12.50	21.00	11.25	17.50
L8	10.19	8	4	12.50	21.00	11.25	17.50



LS8H SERIES MODEL SELECTION

3.0T MOTOR

LS8H-3.0T-S-20
LS8H-3.0T-S8-20
LS8H-3.0T-L-20
LS8H-3.0T-L8-20

6.2T MOTOR

LS8H-6.2T-S-20
LS8H-6.2T-S8-20
LS8H-6.2T-L-20
LS8H-6.2T-L8-20

LIFT-SAFE®

Correct choice of Directional Control Valves for Lift-Safe® Winches

All **Lift-Safe®** Winches require a **Motor Spool Control Valve**.

That is the valve's work ports are **open** to tank in neutral position.

*Winches require ridged mounting plate.
See owner's manual for information about proper mounting plate thickness or call Bloom Sales Engineer at factory

WARNING!

Goods are not intended for use in the moving or lifting of persons!

The winches described herein are neither designed nor intended for use or application to equipment used in the lifting or moving of persons and it is understood that all such use shall be at the sole risk of the user.

The cable clamps on winches are not designed to hold rated loads. A minimum of 5 wraps of cable must be left on drum barrel to guarantee holding of rated load.

Applications of winch where life would be endangered by any event are not recommended.



BLOOM Manufacturing Inc. **Winch Division**

1443 220th Street,, Independence, Iowa 50644

FAX 319-827-1140 PHONE 319-827-1139